

LEGEND

PROPOSED TRANSITWAY	
PROPOSED ROADWAY RECONSTRUCTION	
PROPOSED ROADWAY RESURFACING	
PROPOSED SHARED USE PATH	
PROPOSED STATIONS	
PROPOSED SWM FACILITIES	
PROPOSED STRUCTURES	
PROPOSED SIDEWALK	
EXISTING PAVEMENT TO BE REMOVED	
LIMIT OF DISTURBANCE	
PROPOSED DEVELOPMENT	
EXISTING PROPERTY LINES	

DRAFT - WORK IN PROGRESS

The CCT Study information shown shall be used for general planning information only. The locations of the proposed transit facilities and/or roadway improvements are approximate and subject to change during subsequent stages of project development.



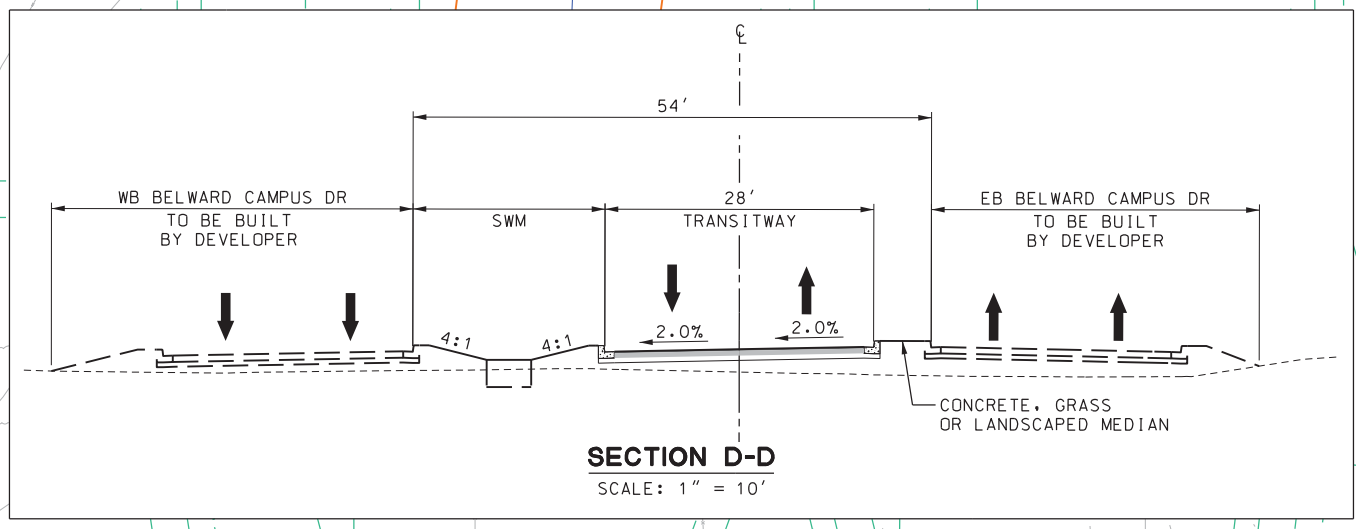
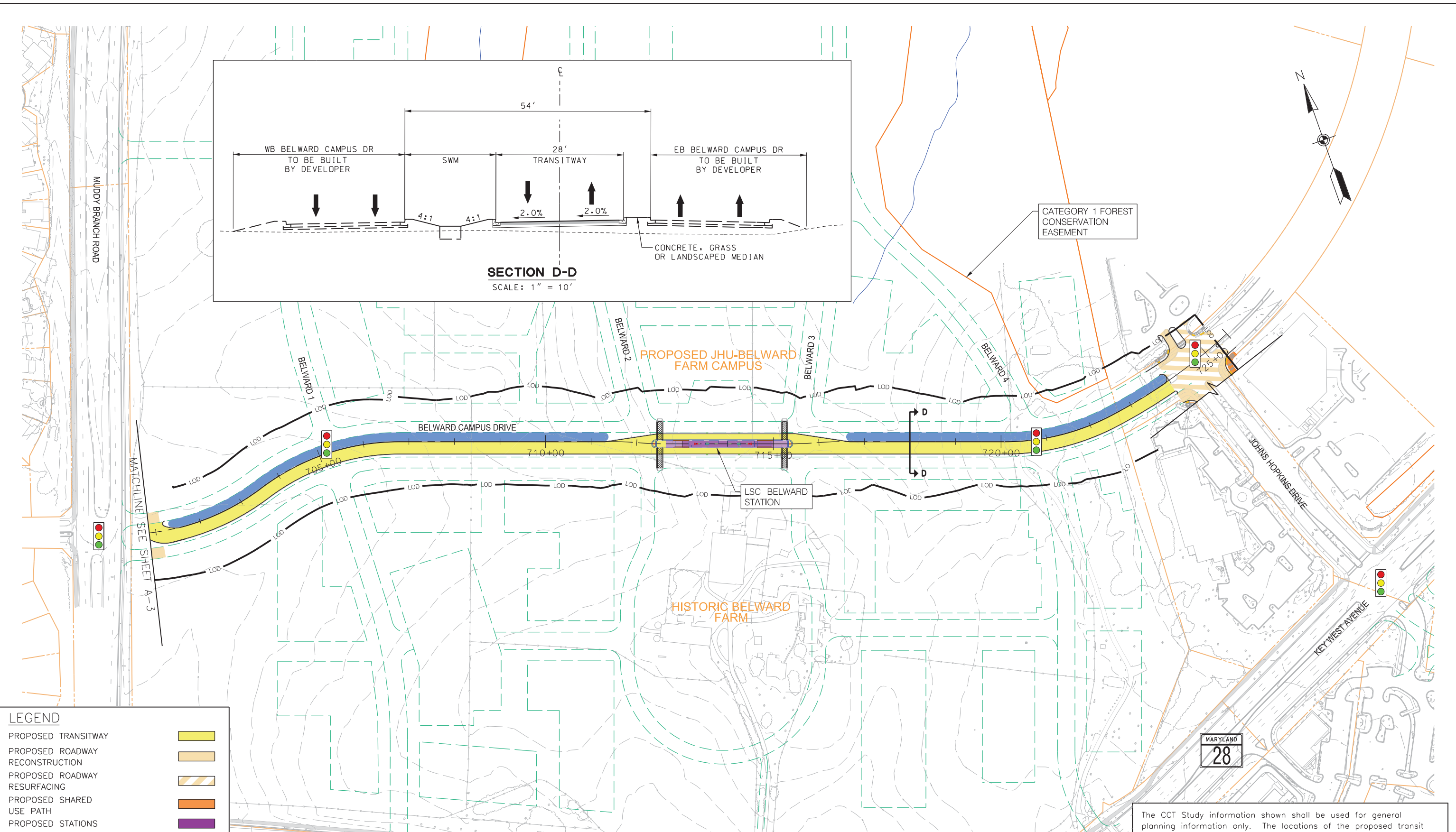
CORRIDOR CITIES TRANSITWAY
MISSION HILLS ALTERNATIVES

OPTION 1: MEDIAN OF MUDDY BRANCH ROAD

DATE: MAY 2014

SCALE: 1" = 200'

SHEET NO.
A-3



CATEGORY 1 FOREST CONSERVATION EASEMENT

MATCHLINE SEE SHEET A-3

LEGEND

PROPOSED TRANSITWAY	
PROPOSED ROADWAY RECONSTRUCTION	
PROPOSED ROADWAY RESURFACING	
PROPOSED SHARED USE PATH	
PROPOSED STATIONS	
PROPOSED SWM FACILITIES	
PROPOSED STRUCTURES	
PROPOSED SIDEWALK	
EXISTING PAVEMENT TO BE REMOVED	
LIMIT OF DISTURBANCE	
PROPOSED DEVELOPMENT	
EXISTING PROPERTY LINES	

DRAFT - WORK IN PROGRESS

The CCT Study information shown shall be used for general planning information only. The locations of the proposed transit facilities and/or roadway improvements are approximate and subject to change during subsequent stages of project development.



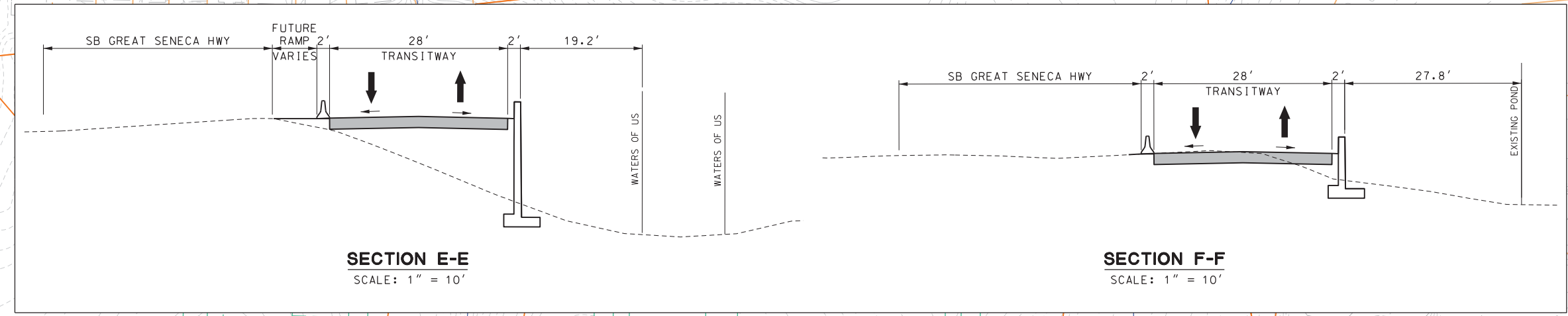
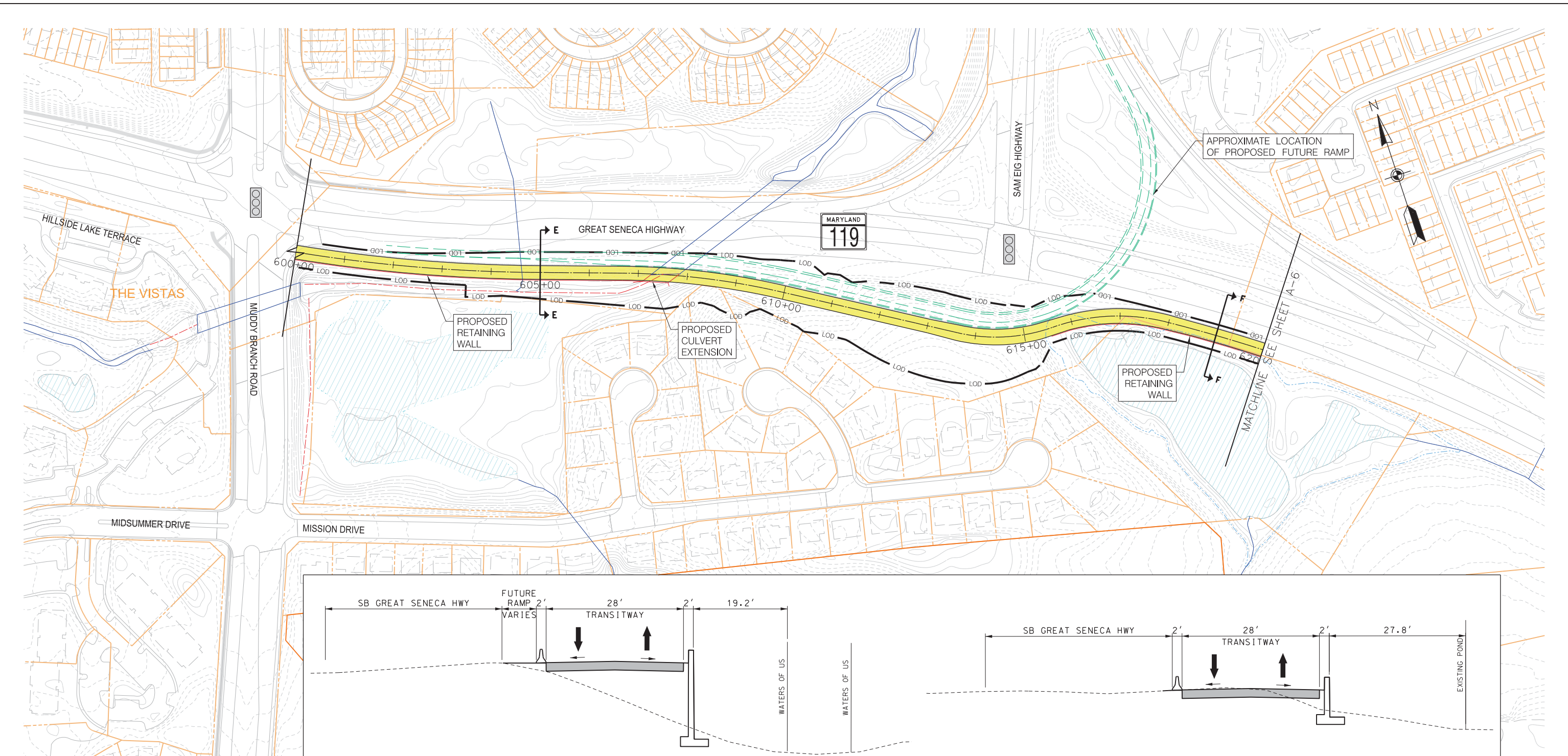
CORRIDOR CITIES TRANSITWAY
MISSION HILLS ALTERNATIVES

OPTION 1: MEDIAN OF MUDDY BRANCH ROAD
DATE: MAY 2014

SHEET NO.
A-4

SCALE: 1" = 200'

p:\00 - Current Projects\1108 - Corridor Cities Transitway (CCT) D&E\01 Project Planning\Alternatives-Engineering\CADD\Displays\Civil\Alignment Studies\Mission Hills\1108pC0004-Option 1-2.dgn 5/7/2014



LEGEND

PROPOSED TRANSITWAY	
PROPOSED ROADWAY RECONSTRUCTION	
PROPOSED ROADWAY RESURFACING	
PROPOSED SHARED USE PATH	
PROPOSED STATIONS	
PROPOSED SWM FACILITIES	
PROPOSED STRUCTURES	
PROPOSED SIDEWALK	
EXISTING PAVEMENT TO BE REMOVED	
LIMIT OF DISTURBANCE	
PROPOSED DEVELOPMENT	
EXISTING PROPERTY LINES	

DRAFT - WORK IN PROGRESS



CORRIDOR CITIES TRANSITWAY
MISSION HILLS ALTERNATIVES

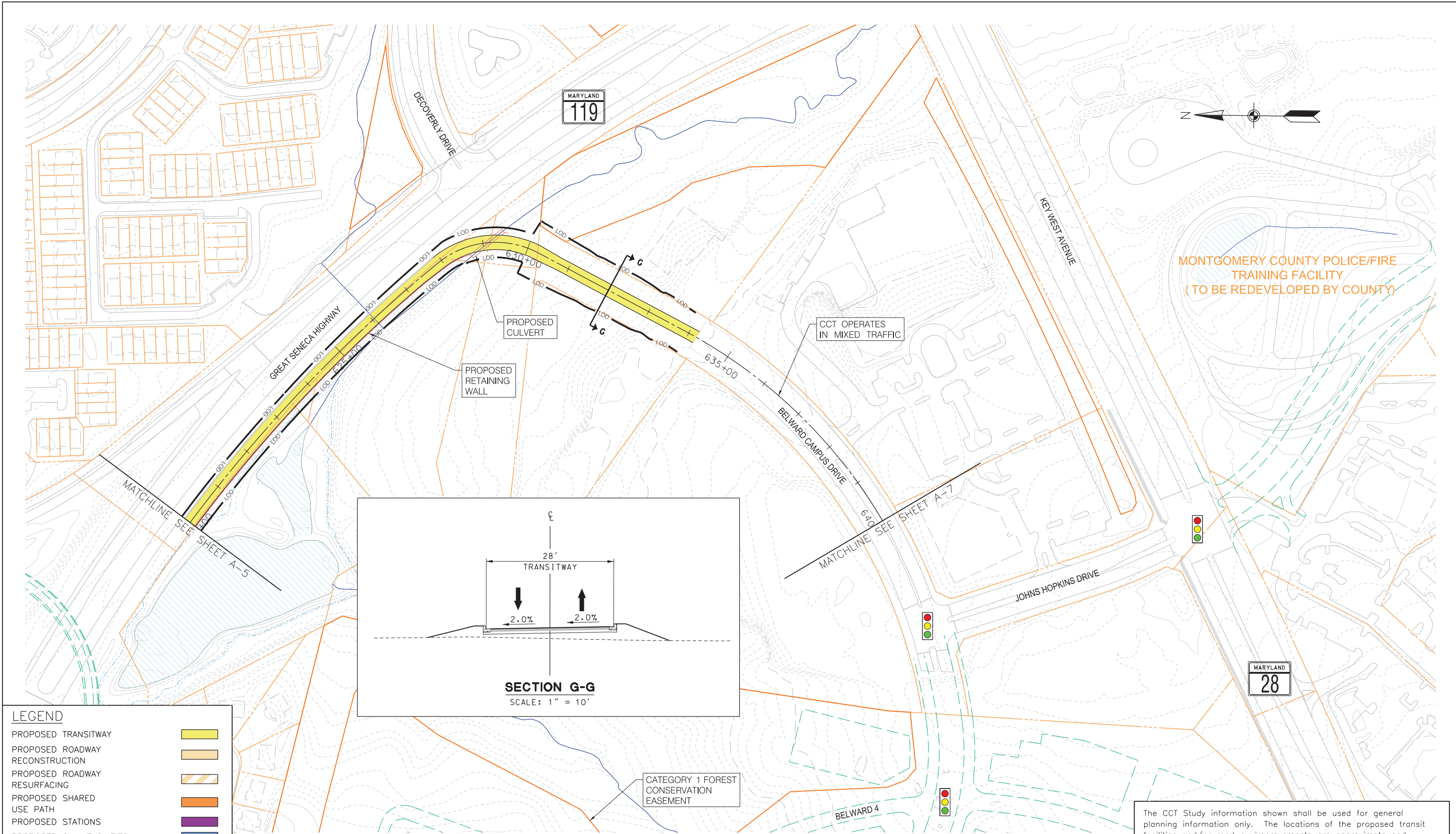
OPTION 2: BELWARD CAMPUS DRIVE

DATE: MAY 2014 SCALE: 1" = 200'

SHEET NO. A-5

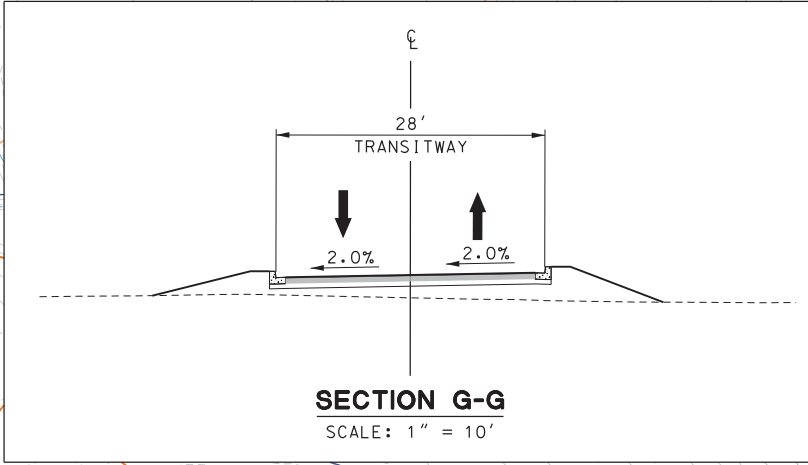
The CCT Study information shown shall be used for general planning information only. The locations of the proposed transit facilities and/or roadway improvements are approximate and subject to change during subsequent stages of project development.

p:\00 - Current Projects\1108 - Corridor Cities Transitway (CCT) D&E\01 Project Planning\Alternatives-Engineering\CADD\Displays\Civil\Alignment Studies\Mission Hills\1108pC0004-Option 2.dgn 5/7/2014



LEGEND

PROPOSED TRANSITWAY	
PROPOSED ROADWAY RECONSTRUCTION	
PROPOSED ROADWAY RESURFACING	
PROPOSED SHARED USE PATH	
PROPOSED STATIONS	
PROPOSED SWM FACILITIES	
PROPOSED STRUCTURES	
PROPOSED SIDEWALK	
EXISTING PAVEMENT TO BE REMOVED	
LIMIT OF DISTURBANCE	
PROPOSED DEVELOPMENT	
EXISTING PROPERTY LINES	



DRAFT - WORK IN PROGRESS

The CCT Study information shown shall be used for general planning information only. The locations of the proposed transit facilities and/or roadway improvements are approximate and subject to change during subsequent stages of project development.

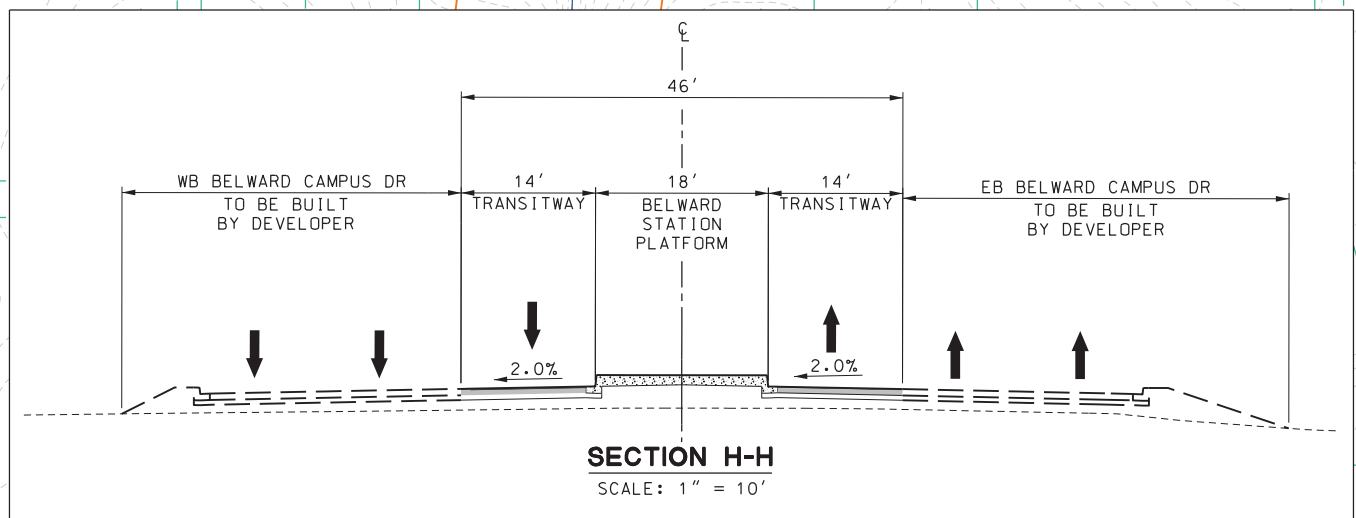
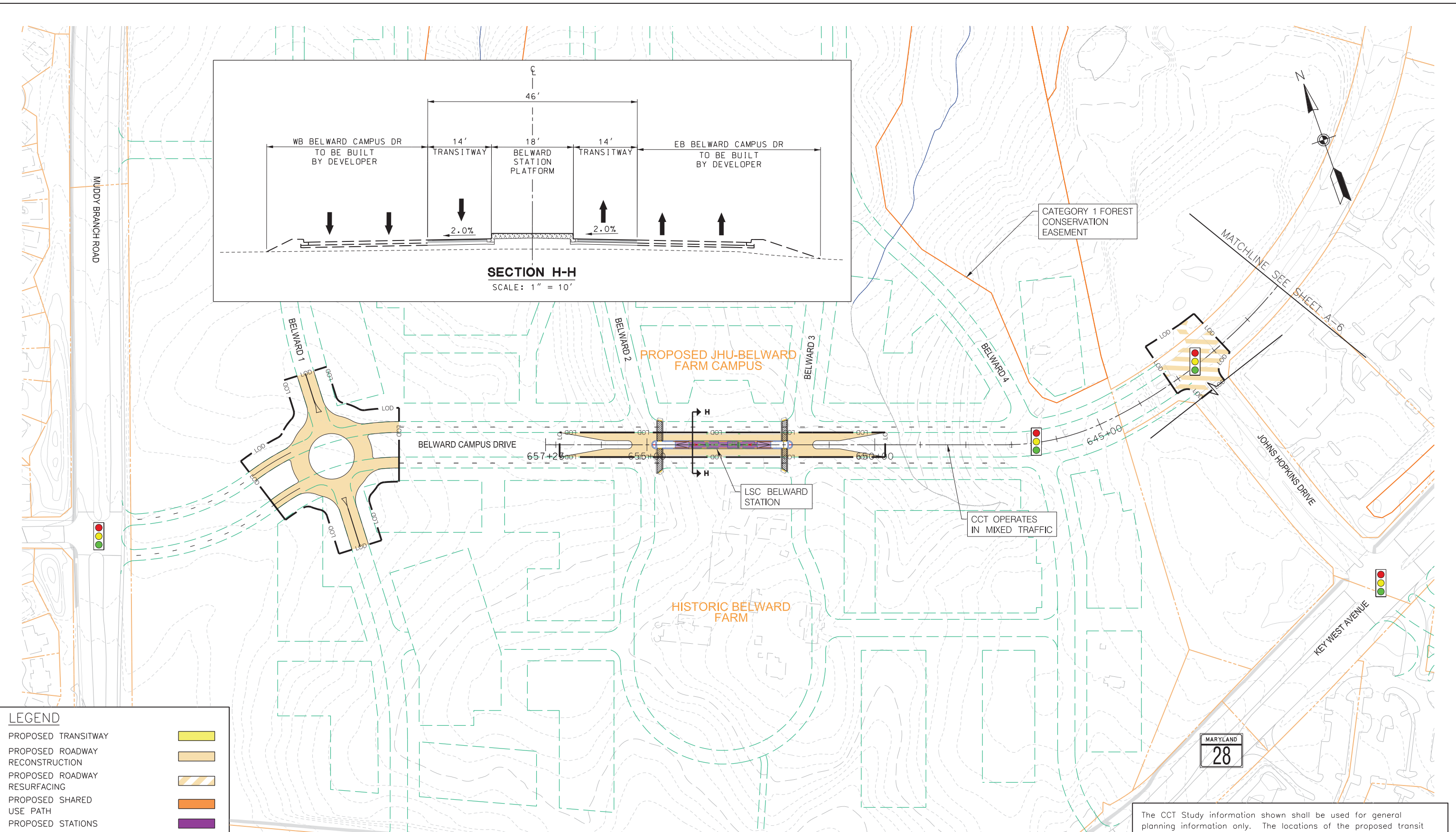


CORRIDOR CITIES TRANSITWAY
MISSION HILLS ALTERNATIVES

OPTION 2: BELWARD CAMPUS DRIVE

DATE: MAY 2014 SCALE: 1" = 200'

SHEET NO. A-6



LEGEND

PROPOSED TRANSITWAY	
PROPOSED ROADWAY RECONSTRUCTION	
PROPOSED ROADWAY RESURFACING	
PROPOSED SHARED USE PATH	
PROPOSED STATIONS	
PROPOSED SWM FACILITIES	
PROPOSED STRUCTURES	
PROPOSED SIDEWALK	
EXISTING PAVEMENT TO BE REMOVED	
LIMIT OF DISTURBANCE	
PROPOSED DEVELOPMENT	
EXISTING PROPERTY LINES	

DRAFT - WORK IN PROGRESS



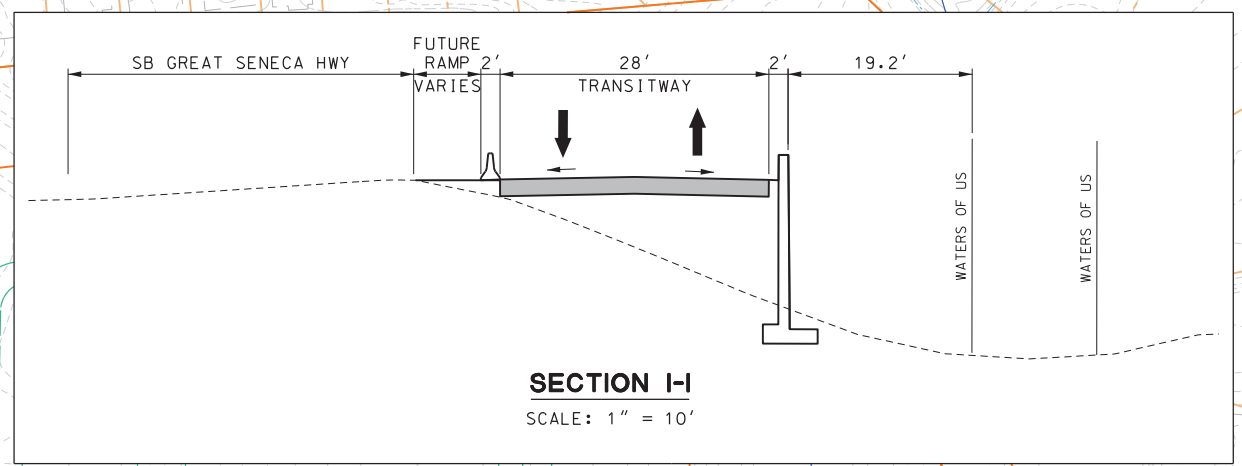
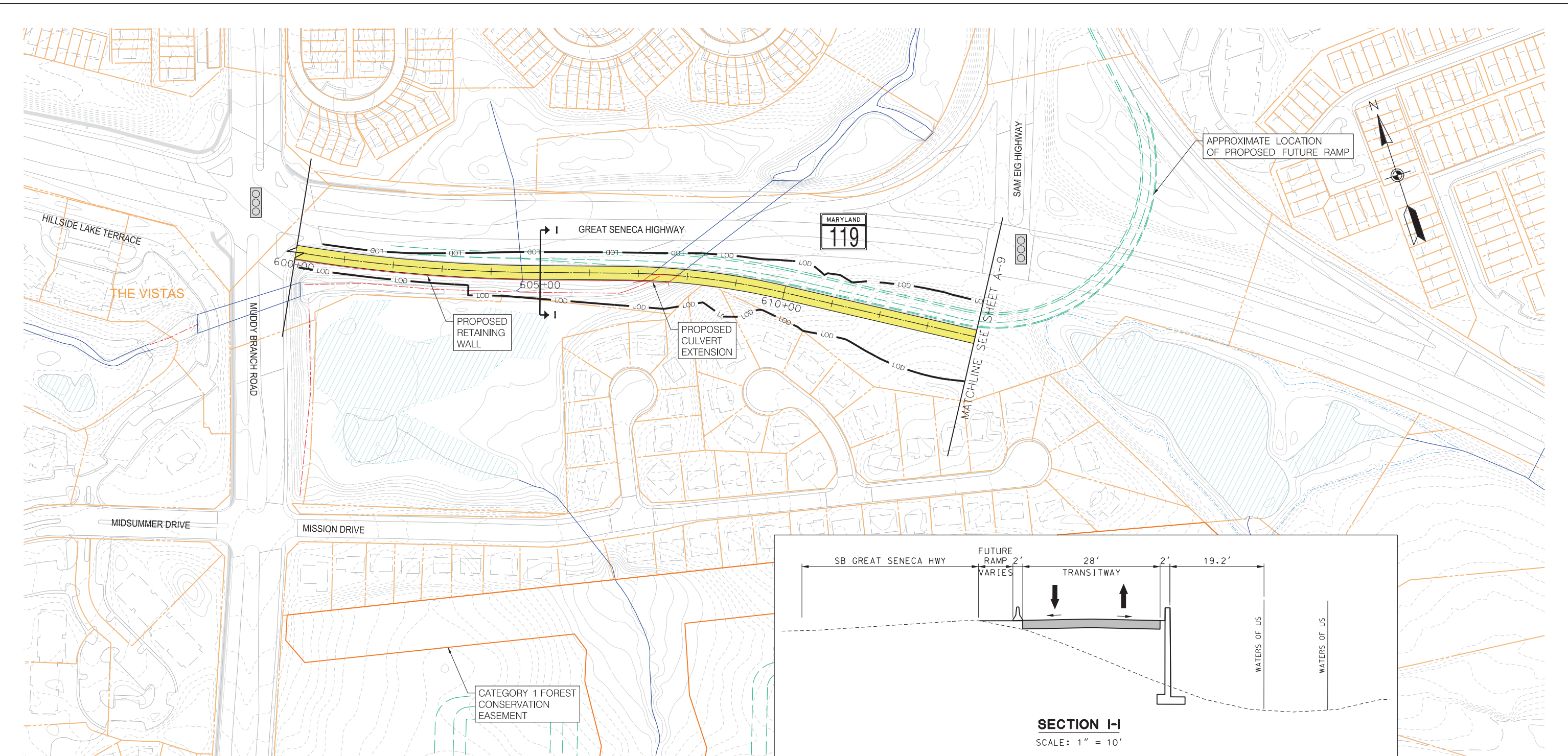
CORRIDOR CITIES TRANSITWAY
MISSION HILLS ALTERNATIVES

OPTION 2: BELWARD CAMPUS DRIVE

DATE: MAY 2014 SCALE: 1" = 200'

SHEET NO. A-7

The CCT Study information shown shall be used for general planning information only. The locations of the proposed transit facilities and/or roadway improvements are approximate and subject to change during subsequent stages of project development.



LEGEND

PROPOSED TRANSITWAY	
PROPOSED ROADWAY RECONSTRUCTION	
PROPOSED ROADWAY RESURFACING	
PROPOSED SHARED USE PATH	
PROPOSED STATIONS	
PROPOSED SWM FACILITIES	
PROPOSED STRUCTURES	
PROPOSED SIDEWALK	
EXISTING PAVEMENT TO BE REMOVED	
LIMIT OF DISTURBANCE	
PROPOSED DEVELOPMENT	
EXISTING PROPERTY LINES	

DRAFT - WORK IN PROGRESS

The CCT Study information shown shall be used for general planning information only. The locations of the proposed transit facilities and/or roadway improvements are approximate and subject to change during subsequent stages of project development.



CORRIDOR CITIES TRANSITWAY
MISSION HILLS ALTERNATIVES

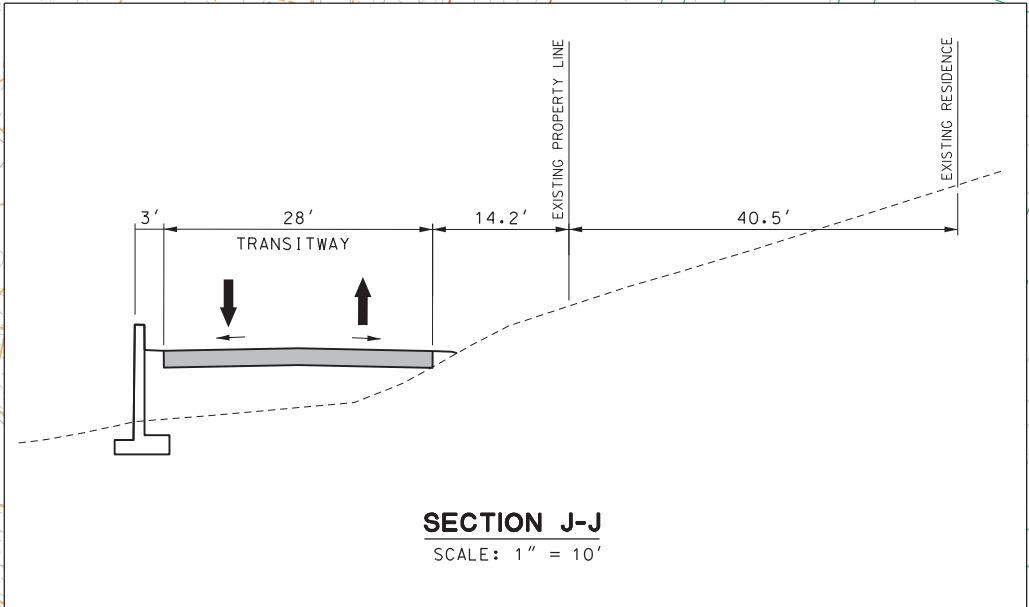
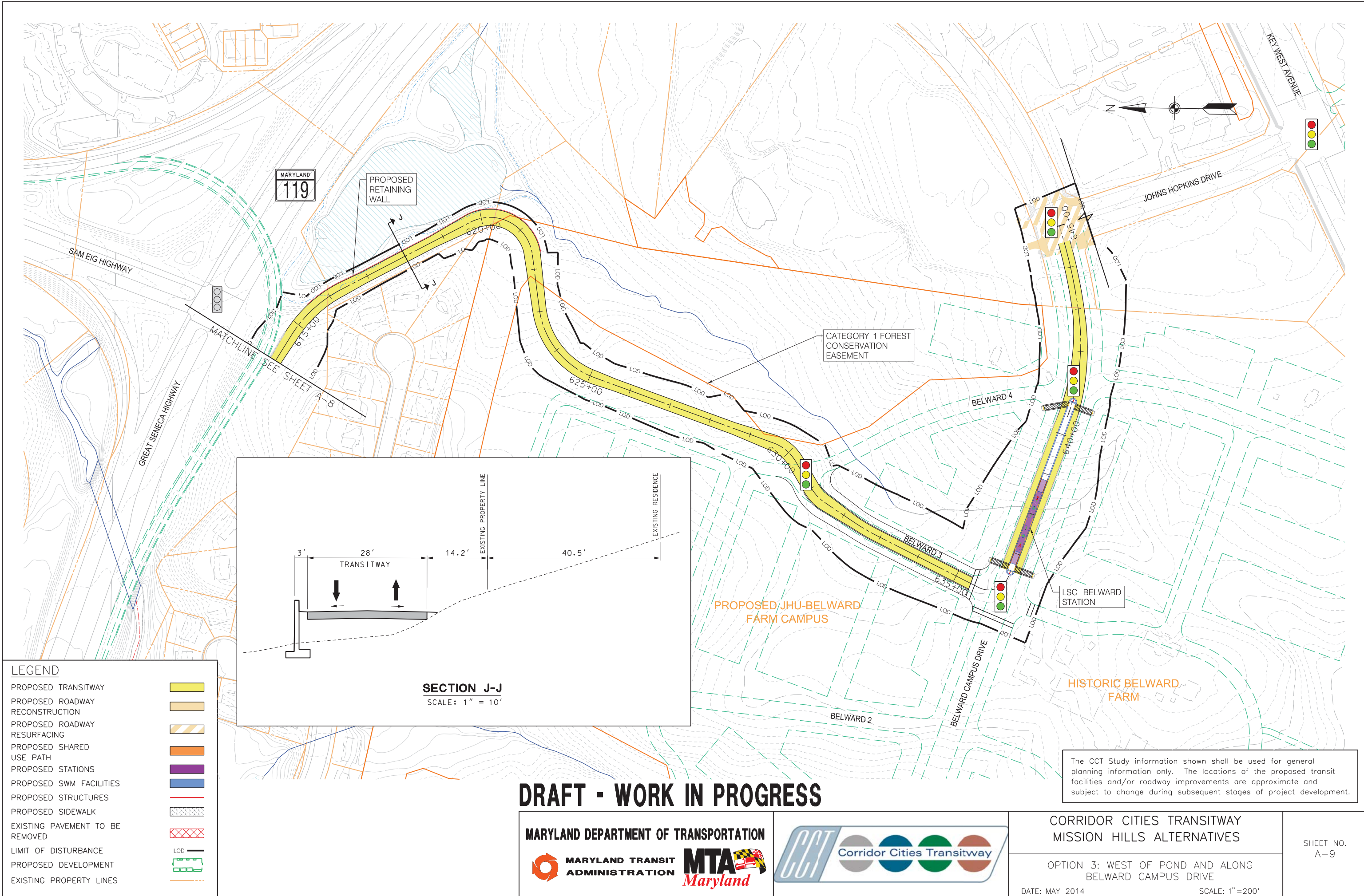
OPTION 3: WEST OF POND AND ALONG
BELWARD CAMPUS DRIVE

DATE: MAY 2014

SCALE: 1" = 200'

SHEET NO.
A-8

p:\00 - Current Projects\1108 - Corridor Cities Transitway (CCT) D&E\01 Project Planning\Alternatives-Engineering\CADD\Displays\Civil\Alignment Studies\Mission Hills\1108pC0004-Option 3.dgn 5/7/2014



LEGEND

PROPOSED TRANSITWAY	
PROPOSED ROADWAY RECONSTRUCTION	
PROPOSED ROADWAY RESURFACING	
PROPOSED SHARED USE PATH	
PROPOSED STATIONS	
PROPOSED SWM FACILITIES	
PROPOSED STRUCTURES	
PROPOSED SIDEWALK	
EXISTING PAVEMENT TO BE REMOVED	
LIMIT OF DISTURBANCE	
PROPOSED DEVELOPMENT	
EXISTING PROPERTY LINES	

DRAFT - WORK IN PROGRESS



CORRIDOR CITIES TRANSITWAY
MISSION HILLS ALTERNATIVES

OPTION 3: WEST OF POND AND ALONG
BELWARD CAMPUS DRIVE

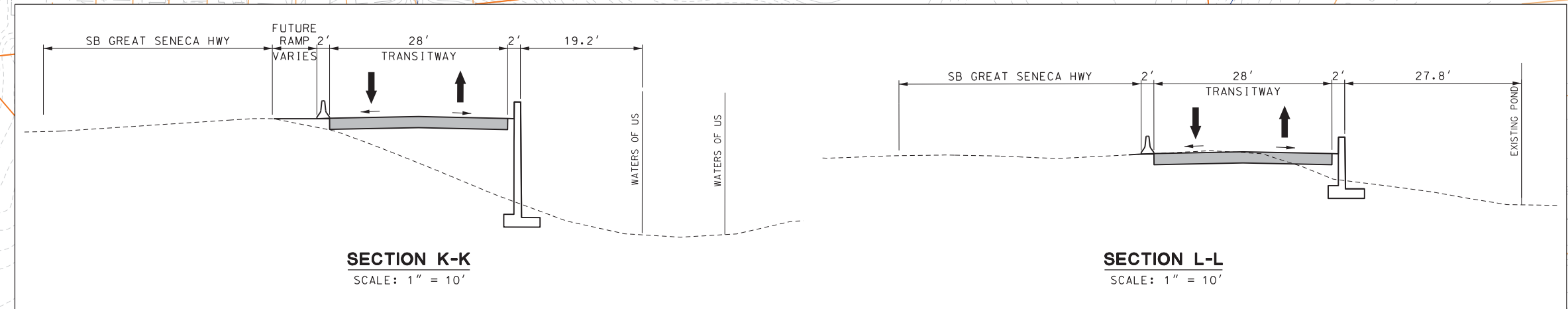
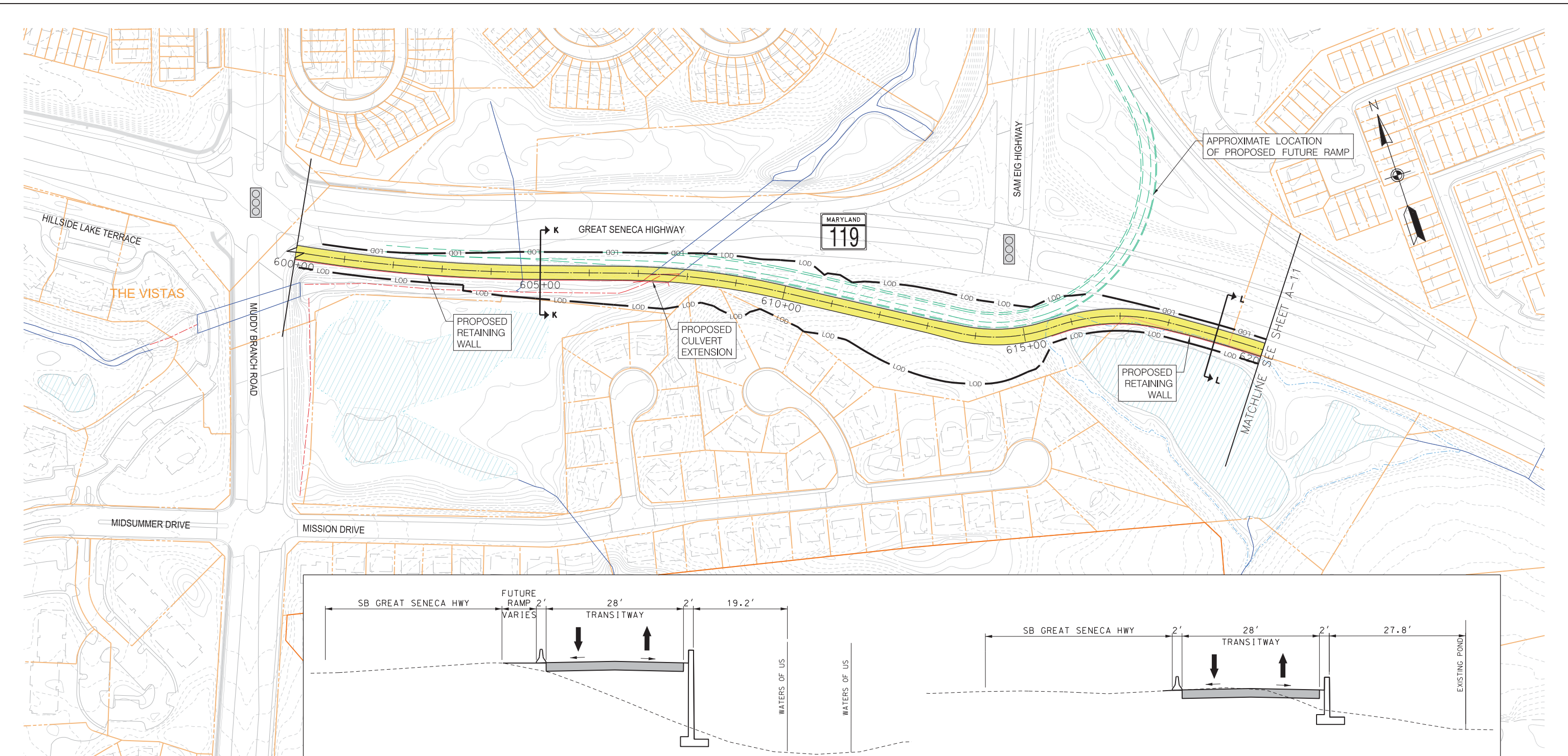
DATE: MAY 2014

SCALE: 1" = 200'

SHEET NO.
A-9

The CCT Study information shown shall be used for general planning information only. The locations of the proposed transit facilities and/or roadway improvements are approximate and subject to change during subsequent stages of project development.

p:\00 - Current Projects\1108 - Corridor Cities Transitway (CCT) D&E\01 Project Planning\Alternatives-Engineering\CADD\Displays\Civil\Alignment Studies\Mission Hills\1108pC0004-Option 3.dgn
 5/7/2014



LEGEND

PROPOSED TRANSITWAY	
PROPOSED ROADWAY RECONSTRUCTION	
PROPOSED ROADWAY RESURFACING	
PROPOSED SHARED USE PATH	
PROPOSED STATIONS	
PROPOSED SWM FACILITIES	
PROPOSED STRUCTURES	
PROPOSED SIDEWALK	
EXISTING PAVEMENT TO BE REMOVED	
LIMIT OF DISTURBANCE	
PROPOSED DEVELOPMENT	
EXISTING PROPERTY LINES	

DRAFT - WORK IN PROGRESS



The CCT Study information shown shall be used for general planning information only. The locations of the proposed transit facilities and/or roadway improvements are approximate and subject to change during subsequent stages of project development.

CORRIDOR CITIES TRANSITWAY
MISSION HILLS ALTERNATIVES

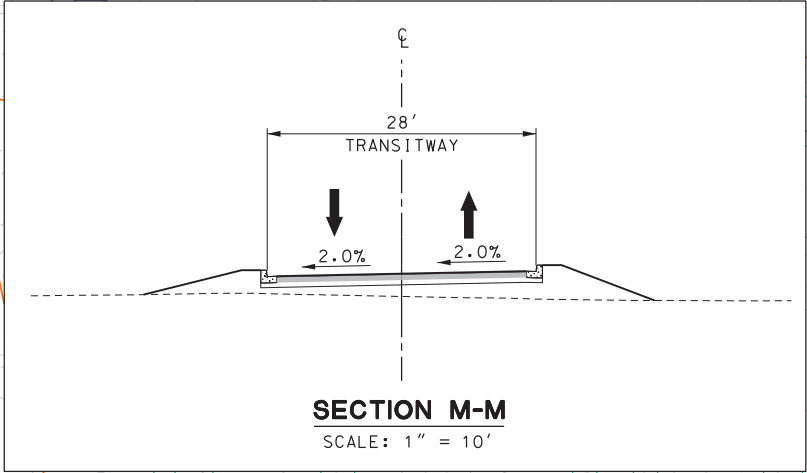
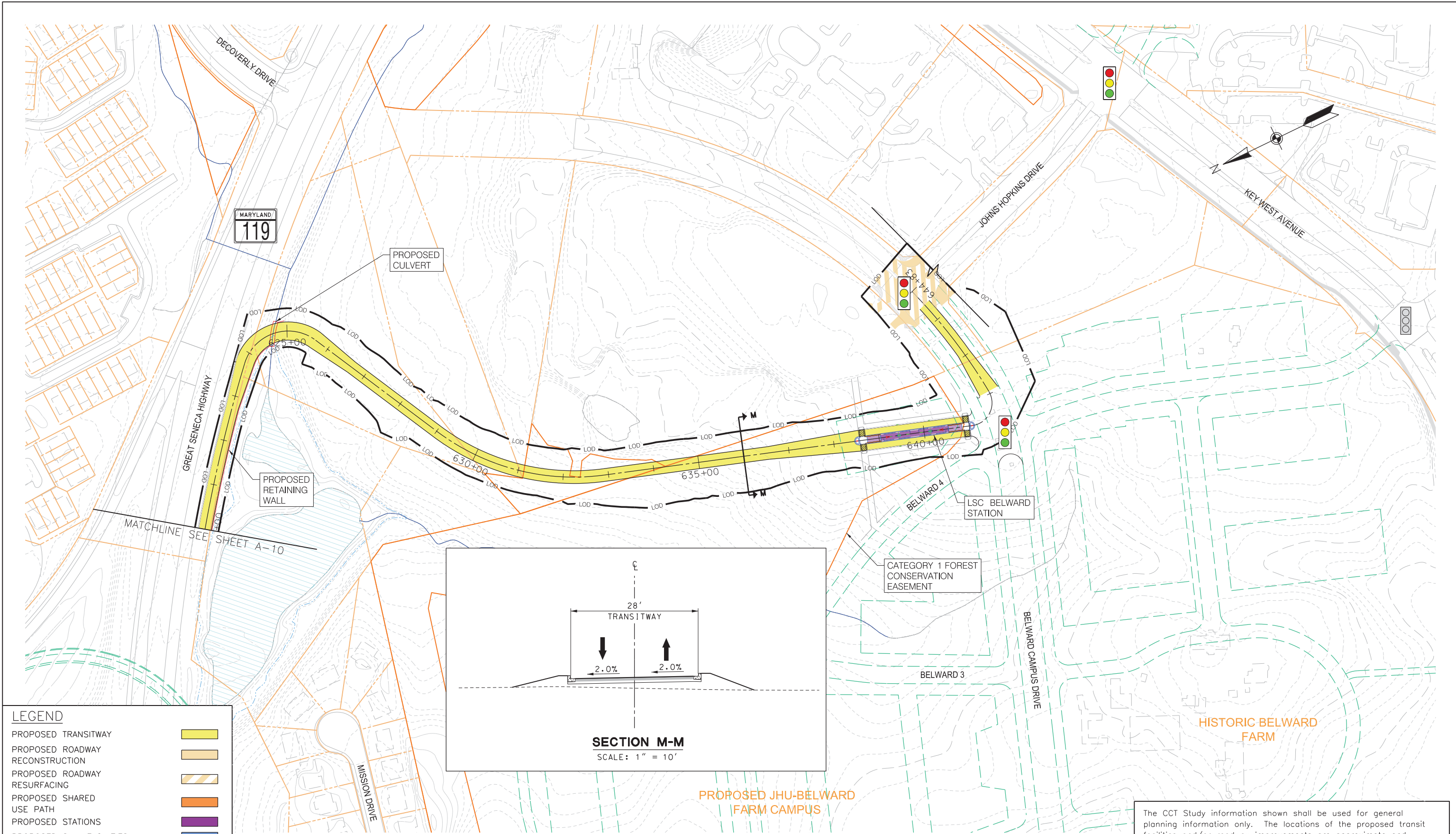
OPTION 4: EAST OF POND AND ALONG
BELWARD CAMPUS DRIVE

DATE: MAY 2014

SCALE: 1" = 200'

SHEET NO.
A-10

p:\00 - Current Projects\1108 - Corridor Cities Transitway (CCT) D&E\01 Project Planning\Alternatives-Engineering\CADD\Displays\Civil\Alignment Studies\Mission Hills\1108pC0004-Option 4.dgn 5/7/2014



LEGEND

PROPOSED TRANSITWAY	
PROPOSED ROADWAY RECONSTRUCTION	
PROPOSED ROADWAY RESURFACING	
PROPOSED SHARED USE PATH	
PROPOSED STATIONS	
PROPOSED SWM FACILITIES	
PROPOSED STRUCTURES	
PROPOSED SIDEWALK	
EXISTING PAVEMENT TO BE REMOVED	
LIMIT OF DISTURBANCE	
PROPOSED DEVELOPMENT	
EXISTING PROPERTY LINES	

DRAFT - WORK IN PROGRESS



The CCT Study information shown shall be used for general planning information only. The locations of the proposed transit facilities and/or roadway improvements are approximate and subject to change during subsequent stages of project development.

CORRIDOR CITIES TRANSITWAY MISSION HILLS ALTERNATIVES		SHEET NO. A-11
OPTION 4: EAST OF POND AND ALONG BELWARD CAMPUS DRIVE		
DATE: MAY 2014	SCALE: 1" = 200'	

p:\00 - Current Projects\1108 - Corridor Cities Transitway (CCT) D&E\01 Project Planning\Alternatives-Engineering\CADD\Displays\Civil\Alignment Studies\Mission Hills\1108pC0004-Option 4.dgn
 5/7/2014